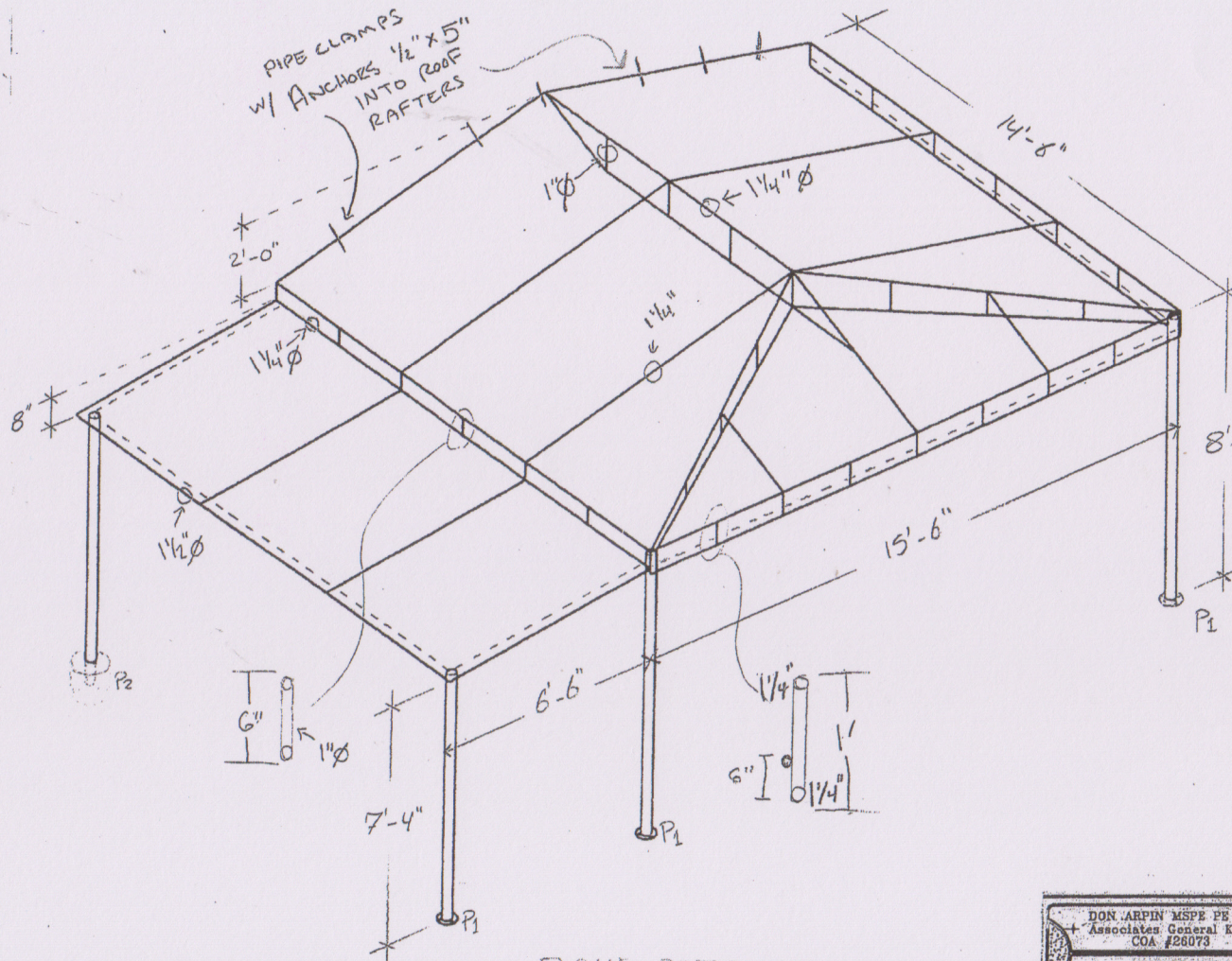
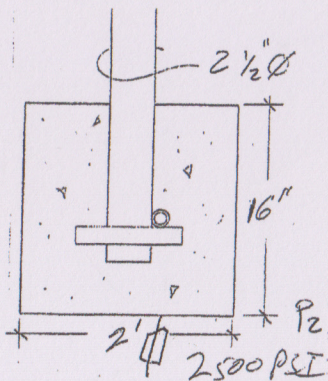
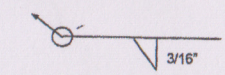


6" Ø x 1/4" THK STEEL
PLATE W/ (3) 3/8" x 3 1/2" L
GALV BOLTS INTO
3000 PSI CONC.



All pipes to be Sched 40 Steel UON
Fabric must be removed in winds in
excess of 74 MPH
Structures designed with FL Bldg Code
2023-8E & HVHZ1616 & CH
1605-1607, 1611, 1620.1, 2. and .3 &
FBC 107.2.1 CH 16 and 35
Frames without fabric in place to
withstand 170 MPH per ASCE 7- 22,
CH 6 & 29 Exp C,
3sec. Gust. Frames w/ fabric designed
to 105 / 81.3 MPH Vasd
All connections welded thus:



All welds covered w/ corrosion
resistant coating.

DON ARPIN MSPE PE #28585
Associates: General Kinetics, LLC
COA #28073

4920 NORTH DIXIE HIGHWAY
FORT LAUDERDALE, FL 33334
Office (954) 772-8346 Fax: (954) 772-7428

DON ARPIN
REGISTERED PROFESSIONAL ENGINEER
FLORIDA
NO. 80589
EXPIRES 12/31/2024

JOB/CLIENT NAME & PHONE NUMBER CATHERINE TAKORIAN - (914) 262-2643		FABRIC 541 DESIGNER WHITE		STEEL/ALUM STEEL		VENDOR FLORIDA PROFESSIONAL ENGINEER	
ADDRESS 551 SE 18TH AVE POMPANO BEACH		PROJECT MGR /	DATE 7-19-24	SCALLOP # /	VALANCE /	FRAME COLOR WHITE	DATE ORDERED / ORDER INFO JUL 18 2024
			DWG# /	BINDING /	TRIM /	LACE COLOR WHITE	