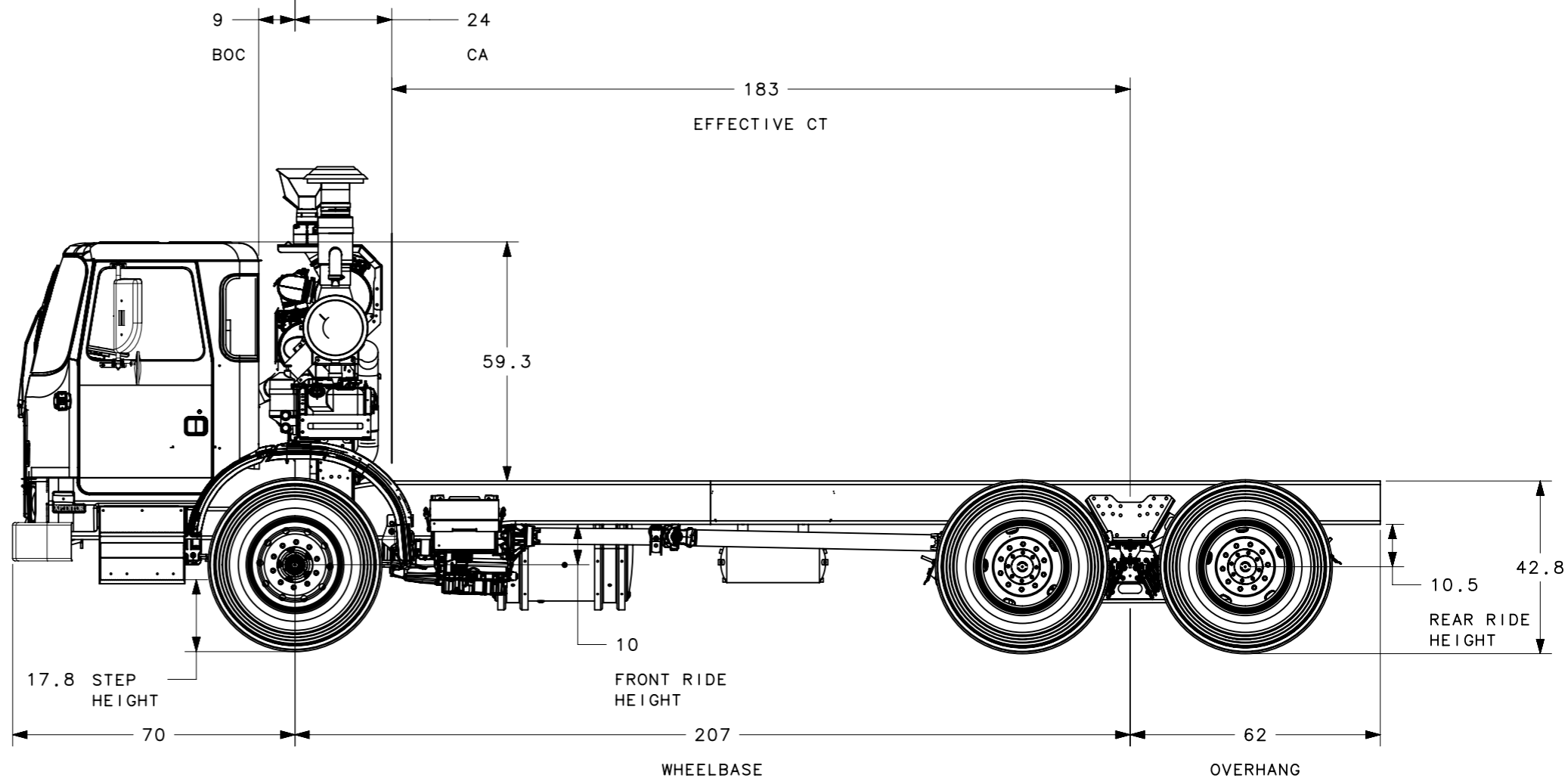
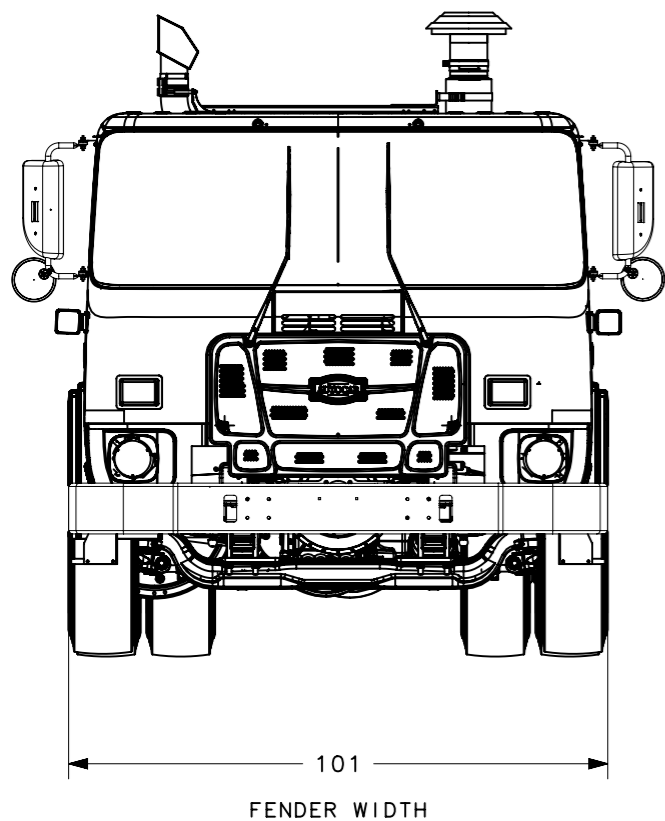
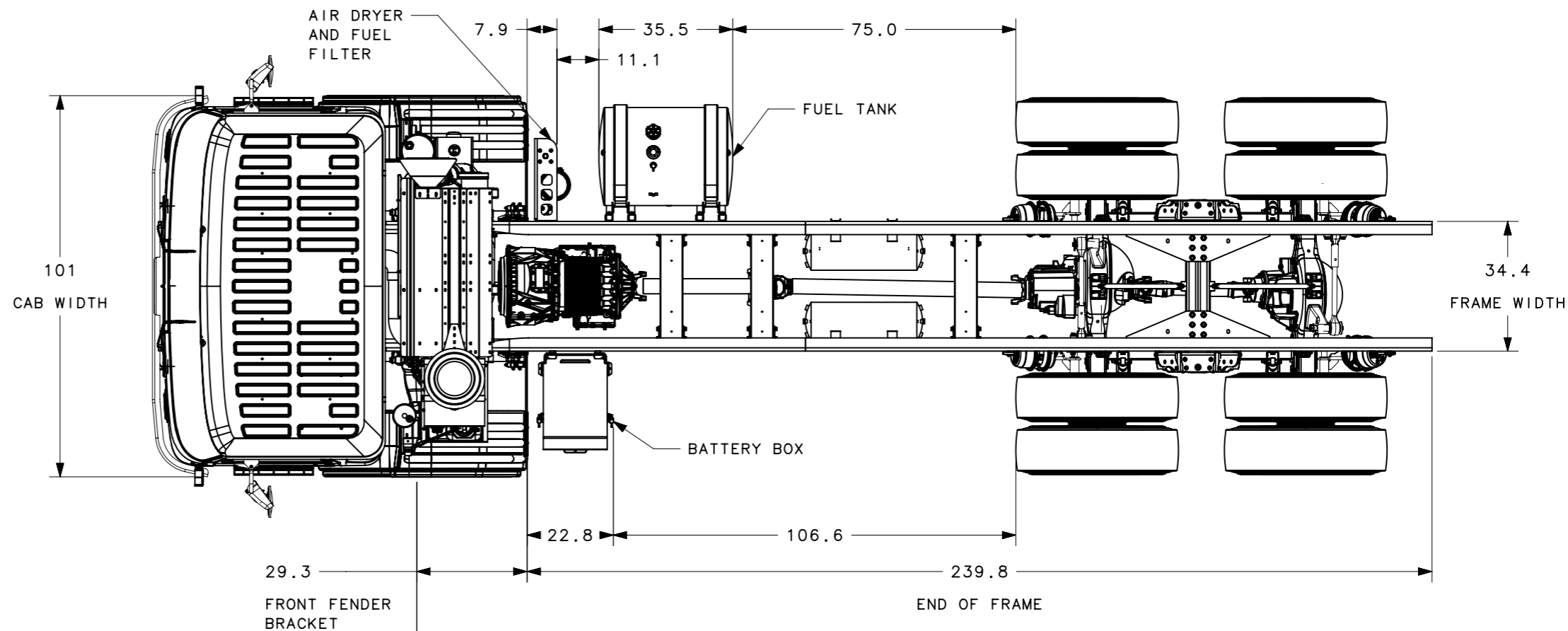




XPEDITOR

ACX 6X4 TYPICAL
 CUMMINS ISL ENGINE
 ALLISON 4500 TRANSMISSION
 MERITOR 20K STEER AXLE
 MERITOR RT46 REAR AXLE
 HENDRICKSON HMX 46K REAR SUSPENSION
 207" WHEELBASE
 62" OVERHANG
 ALL DIMENSIONS IN INCHES



ACX64 Class 8

Kenworth of Central Florida
1800 N. Orange Blossom Trail
Orlando, FL 32804

Prepared By : Michael Crawford
407-425-3170
mike.crawford@kwcf.net

Prepared For : JAY WHEELER
UNDERGROUND REFUSE
SYSTEMS

Tuesday, November 26, 2019 6:54:47 PM EST

\$182,347.00

11/26/2019

Chassis Specification

		Description	Front Weight	Rear Weight	Price	
AUTOCAR TRUCKS						
O	ENG0001	ENGINEERING GROUP IDENTIFIER	AUTOCAR ENGINEERING	0	0	0
S	5000001	CAB SHELL	SINGLE LEFT HAND DRIVE CAB	0	0	0
O	100U001	CUSTOMER TYPE	MUNICIPAL	0	0	0
SOLUTION						
A	C04QXX	BODY COMPANY	Nord Engineering	0	0	0
O	C02004	BODY TYPE	AUTOMATED SIDE LOADER	0	0	0
A	C06QXX	BODY STYLE	Nord Engineering	0	0	0
O	C05031	TOTAL BODY CAPACITY - BODY/HOPPER	31 YARD	0	0	0
O	C01003	APPLICATION	REFUSE - LANDFILL	0	0	0
O	C03001	TERRITORY	EAST COAST	0	0	0
O	D010200	FRONT GAWR	20000 LBS	0	0	0
O	D020460	REAR GAWR	46000 LBS	0	0	0
O	D100660	GVWR	66000 LBS	0	0	0
ENGINE						
O	1012003	ENGINE ASSY	L9 '17, 370HP / 2100RPM / 1250 LB-FT, CUMMINS	0	0	3,845
ENGINE EQUIP						
O	1760001	ENGINE OIL SAMPLING PROVISION	ENGINE OIL SAMPLING PORT	1	0	100
O	227001	AIR INTAKE PRECLEANER	DONALDSON	24	0	310
O	P020015	ENGINE IDLE SHUT DOWN	ENGINE IDLE SHUTDOWN ENABLED (15 MINUTES)	0	0	0
TRANSMISSION						
O	2700028	TRANSMISSION	ALLISON 4500 SERIES,6-SPEED	384	59	13,845
O	2900004	TRANSMISSION OIL FILL/CHECK	TRANS FLUID WITH DIPSTICK AND THREADED OIL SAMPLE PORT	1	0	50
O	300013	DRIVESHAFT-MAIN	SPICER 1810HD HALF ROUND	5	10	70
O	3170010	PTO-TRANSMISSION MOUNTED	XS (TYPE C) OUTPUT CHELSEA 890 PTO HOT SHIFT 4000 SERIES TRANS 116%	70	0	4,250
FRONT AXLE						

S	3700002	FRONT AXLE	MERITOR MFS-20 STEER AXLE, 20000# CAPACITY	0	0	0
O	3710003	FRONT SUSPENSION	10200 LB TAPER LEAF REDUCED RIDE HEIGHT, 22000 LB GROUND CAPACITY	-90	5	0
O	371T01	SUSPENSION, FRONT AUX	AUX LOAD CUSHION	10	0	50
O	7510001	BRAKES-FOUNDATION, FRONT AXLE	MERITOR 16.5X7" QP REFUSE BRAKE	29	0	40
O	755998	DUST SHIELDS - FRT BRAKES	NO FRONT BRAKE DUST SHIELDS PROVIDED	-1	0	0

REAR AXLE

O	330444	REAR DRIVE AXLE-SINGLE & TANDEM	MERITOR RT46-160 46,000 LB	0	430	2,970
O	331538	REAR DRIVE AXLE RATIO	5.38	0	0	0
O	333014	REAR DRIVE AXLE ANTI-SPIN DEVICES	FOUR WHEEL LOCK	0	63	1,070
O	3500004	REAR SUSPENSION	HENDRICKSON HMX-460 SUSP @ 54" AS	0	0	715
O	359001	SHOCK ABSORBERS-REAR	4 SHOCK ABSORBERS HENDRICKSON SUSPENSION	0	31	202
O	7610001	BRAKES-FOUNDATION, REAR AXLE	MERITOR 16.5X8.62" QP REFUSE BRAKE	0	42	345
O	765998	DUST SHIELDS - REAR BRAKES	NO REAR AXLE DUST SHIELDS PROVIDED	0	-2	0

CHASSIS

O	400207	WHEELBASE	207 INCHES	-3	-4	-15
O	402110	FRAME-REAR OVERHANG	110"	-25	86	175
O	404002	FRAME REINFORCEMENT INNER	.25" LINER, STANDARD LENGTH	83	486	1,705
O	4100002	MISC TSO OPTIONS	KEEP RH RAIL CLEAR	0	0	65
O	4680010	GUARD-OIL PAN	ENGINE OIL PAN GUARD - ALUMINUM	49	-6	275
O	892014	BACKUP ALARM	ECCO SMART ALARM SA917	0	1	185
O	430998	FUEL TANK-LEFT	DELETE LHS FUEL TANK	-29	-59	-444
O	431020	FUEL TANK-RIGHT	75 GAL 26" DIA UNPAINTED ALUMINUM	29	59	650
O	441001	FUEL TANK STRAP/ SUPPORT RIGHT	PAINTED STEEL, RH	0	0	0
O	4480004	RH FUEL TANK SPACERS	RH FUEL TANK SPACED 2", DROPPED 4"	7	5	162
A	429QXX	DRILLING FUEL TK SUPT-RIGHT	FUEL TANK MTD RHS 70" BACK OF FAP	0	0	0
O	8120007	BATTERY BOX	STEEL BOX W/ ALUM LID, 3 BATTERY, LHS	-10	0	104
O	8160005	BATTERY BOX SPACERS	BATTERY BOX SPACED 2", DROPPED 6"	5	1	48

A	809QXX	BATTERY BOX DRILLING	BATTERY BOX: LOCATE 66" BAC OF FAP	0	0	0
O	715T003	AIR RESERVOIR DRAIN SYSTEM	CENTRAL MANIFOLD W/ PETCOCKS	2	2	70
O	713023	AIR DRYER	BENDIX ADIP W/HEAT	0	0	15
O	7100004	AIR DRYER DRILLING	AIR DRYER MOUNTED OUTSIDE RAIL, RHS	0	0	0

CAB EXTERIOR

X	511001	VISIBILITY WINDOW	RIGHT HAND DOOR	0	0	510
O	5120001	POWER WINDOWS	DUAL INTERNAL REGULATOR POWER WINDOWS	4	0	750
O	6220017	MIRRORS-DUAL WEST COAST	MIRROR, BLACK, HTD, REMOTE W / LWR HTD CONVEX	0	0	570
O	6230006	MIRRORS-AUXILIARY HIGH MOUNT	HIGH MOUNT 8" CONVEX, BLACK	0	0	95
O	661002	CAB TILT MECHANISM-C.O.E.	HYDRAULIC TILT WITH AIR ASSIST	20	0	285
O	693002	UNDERCOAT	CAB CORROSION INHIBITOR	0	0	665

CAB INTERIOR

O	5202002	SEAT-DRIVER	SEARS C2+ SEAT, AIR RIDE, AIR LUMBAR	0	0	100
O	5212001	SEAT-PASSENGER	SEARS C2+ SEAT, FIXED	0	0	125
O	5260002	SEAT INSERT	MODURA, ASPHALT COLOR	0	0	0
O	8750001	ADDITIONAL ELEC. SWITCHES	2 DASH SWITCHES, WIRED TO POWER	1	0	55

GAUGES & INSTRUMENTATION

O	3190001	PTO CONTROLS	PTO ELECTRIC CONTROL SWITCH	1	0	25
---	---------	---------------------	--------------------------------	---	---	----

LIGHTING

O	837011	LAMPS-STOP-TAIL	DUAL LED TRUCKLITE MODEL 44	0	0	265
O	8520001	LAMPS-PARKING	CORNER MARKER LAMP WIRED TO BATTERY SHUT OFF	1	0	75
O	853002	SWITCH-MARKER INTERRUPTER	INTERRUPTER SWITCH FOR CAB/BODY LAMPS	0	0	35
O	860009	LAMPS-BACK OF CAB	WORK LIGHT BOC DRIP RAIL MOUNTED	2	1	91
O	867015	LAMPS-EMERGENCY WARNING	SWITCH WIRED(12GA) FOR BEACON LIGHT	1	0	85

RADIO/MISC

O	5090001	KEY & LOCK SETS-IGN/DOORS	DOOR & IGNITION SAME - UNIQUE PER TRUCK WITH 2 ADDITIONAL KEYS PER TRUCK (4 TOTAL)	1	0	5
O	5900006	RADIO	AM/FM RADIO, ROOF MOUNTED	13	-4	275
O	5910002	ANTENNA/POWER SUPPLY	ANTENNA - ROOF MOUNTED	0	0	0
O	596005	RADIO SPEAKERS	2 DUAL CONE SPEAKERS	0	0	0
O	962003	FIRE EXTINGUISHER	DRY TYPE ABC 5LB. CAP MTD. IN CAB	2	0	110

REAR TIRES / WHEELS

O	9342001	TIRE MANUFACTURER & TREAD - REAR	GOODYEAR G751 MSA DURASEAL	0	0	3,512
O	933469	TIRE SIZE & LOAD RANGE - REAR	315/80R22.5L	0	0	0
O	9140016	WHEELS-DISC REAR	22.5X9.0" STEEL, 6.42" INSET, HAYES	0	240	800

ADDITIONAL OPTIONS

O	899A203	TRANSMISSION WARRANTY	ALLISON 5YR. EXT WARRANTY	0	0	1,229
O	899B207	ENGINE WARRANTY	2017 L9 HD1 5YRS/150K MILES EXTENDED WARRANTY PP1 MATRIX 231156	0	0	2,090
O	899K200	EXHAUST AFTERTREATMENT EXTENDED WARRANTIES	2017 L9 AT3 AFTERTREATMENT 5YRS/150K MILES EXTENDED WARRANTY MATRIX 231445	0	0	810

OTHERS

O	9722018	CERTIFICATION-EMISSIONS	COMPLIES WITH 2018 U.S. EMISSIONS	0	0	0
---	---------	--------------------------------	-----------------------------------	---	---	---

SUB TOTALS

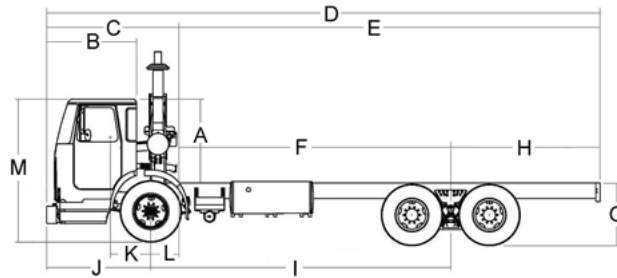
BASE WEIGHT/PRICE	10,431	6,154	180,050
FACTORY OPTION WEIGHT/PRICE	598	1,420	44,234
DISTRIBUTOR OPTION WEIGHT/PRICE	0	0	0

TOTALS

TOTAL PRICE (\$)			224,284
TOTAL WEIGHT (LB)	11,029	7,574	18,603

11/26/2019

Dimensions



	Dimension(ft)	Description
A	59.00	CAB HEIGHT
B	62.00	BUMPER TO BACK OF CAB
C	95.00	EFFECTIVE BUMPER TO BACK OF CAB
D	388.00	OVERALL LENGTH
E	293.00	EFFECTIVE CAB TO END OF FRAME
F	183.00	EFFECTIVE CAB TO REAR AXLE
G	43.85	UNLADEN FRAME HEIGHT
H	110.00	OVERHANG
I	207.00	WHEELBASE
J	71.00	BUMPER TO FRONT AXLE
K	-24.00	DRIVER CENTER OF GRAVITY
L	24.00	EFFECTIVE FRONT AXLE TO BACK
M	102.85	OVERALL HEIGHT
N	0.00	FRONT FRAME EXTENSION

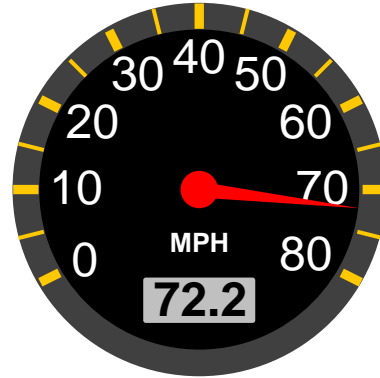
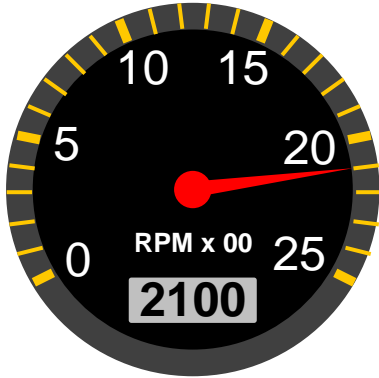
SPECIFICATION SUMMARY

Model	ACX64 Class 8
Engine	L9 '17, 370HP / 2100RPM / 1250 LB-FT, CUMMINS
Transmission	ALLISON 4500 SERIES,6-SPEED
Rear Axle	MERITOR RT46-160 46,000 LB
Rear Axle Ratio	5.38
Rear Tire	315/80R22.5L

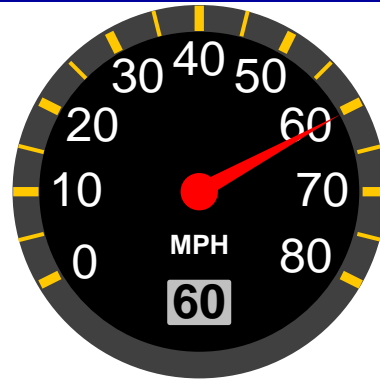
11/26/2019

Top Speed

Speed At Maximum RPM



RPM At 60MPH



	MPH	RPM
Top Speed	72.2	2,100
Cruise Speed	60.0	1,744
Minimum Of Engine Range	41.3	1,200
Maximum Of Engine Range	72.2	2,100
Minimum Of Economy Range	41.3	1,200
Maximum Of Economy Range	72.2	2,100

SPECIFICATION SUMMARY

Model	ACX64 Class 8
Engine	L9 '17, 370HP / 2100RPM / 1250 LB-FT, CUMMINS
Transmission	ALLISON 4500 SERIES,6-SPEED
Rear Axle	MERITOR RT46-160 46,000 LB
Rear Axle Ratio	5.38
Rear Tire	315/80R22.5L
Tire Revolution	484

11/26/2019

GAWR, GVWR & Tire Pressure

GVW Rating – 66,000#			
Front GAWR	20,000#	Rear GAWR	46,000#
Front Suspension	22,000#	Rear Suspension	46,000#
Front Wheels	20,000#	Rear Wheels	72,000#
Front Tire Size And Tread	20,500#	Rear Tire Size And Tread	66,100#
Front Brakes	20,000#	Rear Brakes	46,000#
Front Axle	20,000#	Rear Axle	46,000#
PSI			
Front PSI	130.0	Rear PSI	85.0

EASY J2 2500 S

Offer for the supply and installation of an automatic equipment type EASY J2-S on a chassis, supplied by you, IVECO Stralis AD260S31PS/RSU or similar, available wheelbases: 3800, 4200, 4500.

EASY J2 2500 S



AUTOMATIC EQUIPMENT EASY-J2-S for the collection of selected wastes in all the containers with single hooking point F90.

The equipment consists of the turret behind the cab equipped with telescopic arm with articulated jib, which allows the manipulation of underground containers.

Features:

- ✓ automatic coupling device mushroom F90 with stroke limit sensors which allow the sequentiality of the cycle in respect of the safety during the operation.
- ✓ Hydraulic system (type Danfoss modules, piping for handling structure; oil tank for feeding EASY, hook lift system and compactor);
- ✓ Mechanical lock for the resting of the equipment EASY J2;
- ✓ Installation of PLC with all the electric connections to the data collection elements and personalized software for the automatic collection - 4 external cameras and 2 monitors inside the cabin and a control panel inside the cabin provided of joystick, monitors and touch screen.
- ✓ Pneumatic safety rod installed on both sides of the vehicle.
- ✓ Automatic stabilizing disposal on the ground through two cylinders placed on both sides of the crane in the vehicle gauge.

The setting up of the Easy J2 2500 S foresees:

- ✓ the installation of the equipment on the chassis introducing all the necessary reinforcements.;
- ✓ the application of hydraulic pumps for the functioning of the EASY equipment, the roll-off disposal and the compactor;
- ✓ installation of the hydraulic pipes for the connection of the compactor;
- ✓ installation of the control panel inside the cabin;
- ✓ installation of the cameras inside and outside the cabin.

NOTE - EASY equipment has a CE mark and in the moment of the delivery is provided the supply of user and maintenance manual.

- ✓ Automatic greasing system with 25 points for EASY equipment
- ✓ Installation of the automatic greasing system also on the chassis and on the roll-off disposal (total of 13+18 points)
- ✓ GSM DISPOSAL
This disposal permits us to connect to the PLC of the equipment wherever it is, exploiting the GSM network in order to update the software or for functioning anomalies reported by the customer. The GSM disposal has a modem with a data telephone card activated by us, the online service is free during the guarantee period.
- ✓ Rear safety camera: when the truck go into reverse the video automatically shows the rear view for a better safety during the truck movements.
- ✓ Emergency electro hydraulic unit: connected to the hydraulic system; this way the operator can manually move the crane even when the pump or PTO are broken down.

\$153,000.00

ROLL-OFF COMPACTOR CSNE 2500L



Roll-off Compactor model C.S.N.E. with "Fluctuating blade at Linear Stroke" of new execution, for the collection of compatible and multimaterial (plastic, metal, glass) with the EASY equipment help. Available with hopper 6/7 m³ in volumes ranging from 16 to 20,5 m³.

Features:

- ✓ max encumbrance dimensions: available length 5900, 6250, 6550 mm, width mm 2500, height mm 2600 ;
- ✓ front lifting hook at height mm 1430/1480 ;
- ✓ 45 ton thrust power.
- ✓ Cylinder Compaction linearly placed respect to axis of pressor stroke.
- ✓ Hardox slides for lateral and transversal thrusts.
- ✓ Regenerative automatic device of the compaction cylinders' hydraulic circuit.
- ✓ Compactor stroke 1850 mm
- ✓ Working through truck oil-pressure line.
- ✓ Electronically managed reverse pusher, through magnet sensors by proportional distributors.
- ✓ Slowdown drawer system and reversing..
- ✓ 230 Bar maximum pressure
- ✓ 30 second working cycle.
- ✓ Uploading opening: 1.6 mm-thick Hardox bottom ; presser ; anti-wear running slides.
- ✓ Fe 510B container section, thickness 4 mm
- ✓ Loading hopper volume: 7 m³.
- ✓ Device for the complete closure of the hopper, removes leaks of light materials during the vehicle movement, made up of a sliding grid on rails, moved by an hydraulic cylinder, inductive sensors for movement detection, oil-pressure pipes and quick connection with the frame, electrical wiring and interface connection with the equipment software.
- ✓ Rear door with upward hydraulic opening and safety hydraulic closure.
- ✓ Retention device inside the machine.
- ✓ Painting cycle with washing, pickling, antioxidant spreading and, finally, a coat of enamel in the colour chosen by customers.

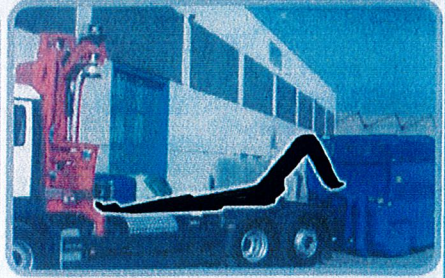
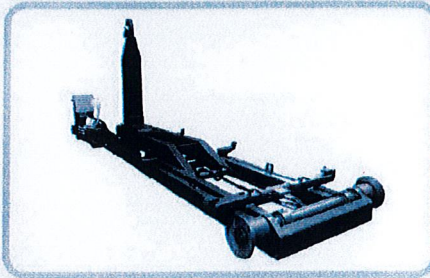
The setting up of the roll-off compactor foresees:

- ✓ On/off press control and automatic/manual control through the easy equipment console located in the driver's cab ;
- ✓ distributor in 3 elements ON/OFF with levers to manual drive if necessary by operator' s: compaction drive, opening tailgate compactor and closure of the hopper ;
- ✓ Socket connection multipolar to link in interfacing with Easy equipment, hydraulic piping, quick connection with the chassis and electric wiring.

\$56,000.00

HOOK LIFT

*On a chassis supplied by you, type IVECO STRALIS AD260S31PS/RSU or similar,
available wheelbases: 3800, 4200, 4500*



Roll-off disposal for moving load bins from 5900/6000/6250/6500 mm long.

Technical characteristics of the roll-off disposal

- ✓ 26 ton lifting power.
- ✓ external rear locking ;
- ✓ controls with button panel in the cabin.
- ✓ Vertical-descent rear stabiliser.
- ✓ Inter-lock safety device.
- ✓ 4-component external laterally mounted distributor.

The installation of the roll-off disposal provides:

- ✓ extension of the demountable subframe and installation of anchors for support equipment EASY application with reinforcements vehicle chassis ;
- ✓ painting in the same color of the chassis.

NOTE - The Roll-off equipment has a CE mark and in the moment of the delivery is provided the supply of user and maintenance manual

\$46,000.00

\$42,000.00 Installation

\$479,347.00 Estimated Total