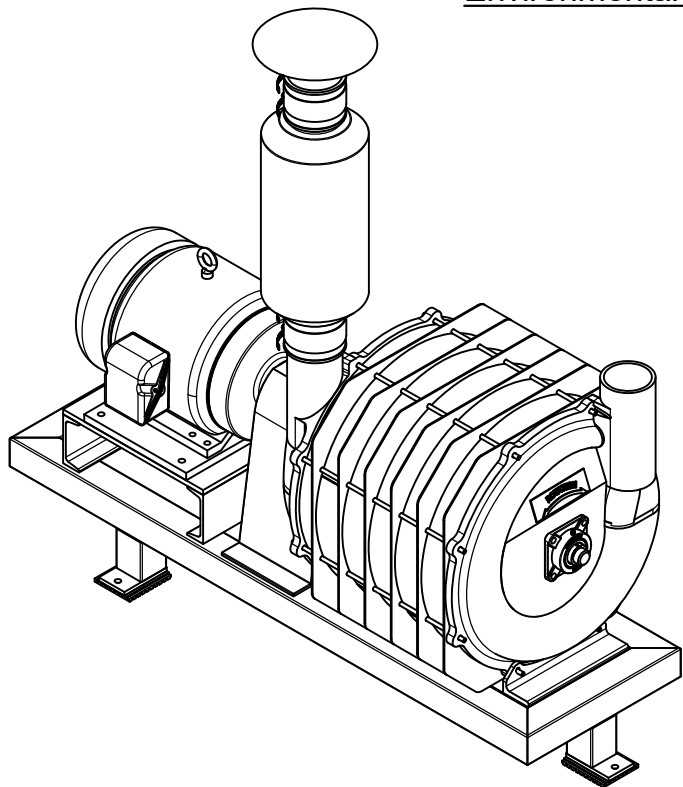


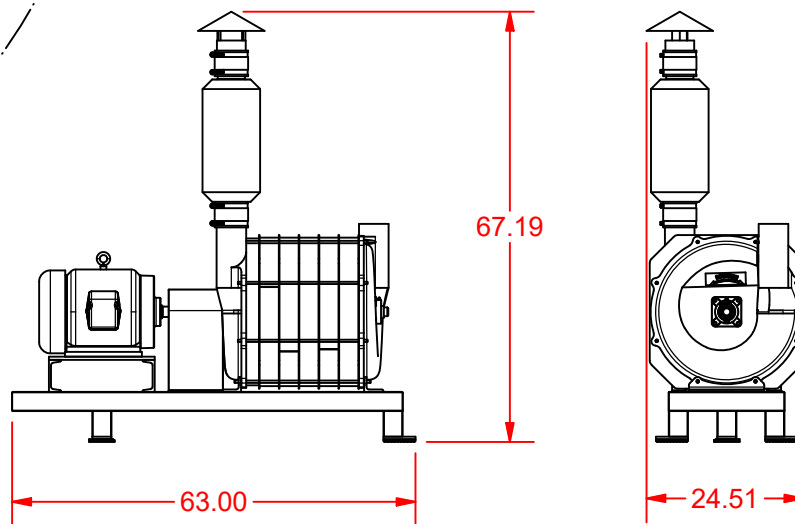
Environmental Noise with Vacuum OFF: 70 dba (Average Decibels)



10ft @83dba

20ft @80dba

50ft @74dba



This sheet contains confidential information, images, and trade secrets of Sonny's Enterprises, Inc. Any unauthorized use or disclosure of any portion thereof is strictly prohibited. This work is the exclusive property of Sonny's Enterprises, Inc. All Rights Reserved.

PARTS MUST BE FREE OF RUST, BURRS, AND SHARP CORNERS.

MATERIAL:

**TOLERANCES**

UNLESS OTHERWISE SPECIFIED, ALL DIMENSIONS ARE IN INCHES AND TOLERANCES AS FOLLOWS:

FRACTIONAL ± 1/8"

.XX DECIMAL PLACES ± 0.060

.XXX DECIMAL PLACES ± 0.030

ANGULARITY ± 2'

FINISH 125

DRAWN BY

A.Cadavid

10/4/2017

DESIGNED BY

A.Cadavid

10/3/2017

ENG APPROVED BY

REVISED BY

L.Verdecia

10/5/2017

CATEGORY

VACUUM

REV

--

PART NUMBER

**37-H Sound Data**

DESCRIPTION

Vacuum, 25hp Producer

THIRD ANGLE



SCALE

N.T.S.

SIZE

A

SHEET

1 OF 1

2

1

2

1