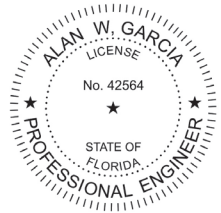


This item, consisting of 5 sheets, has been digitally signed and sealed by Alan W. Garcia, PE on 4/3/24. Printed copies of this document are not considered signed and sealed and the signature must be verified on any electronic copies.

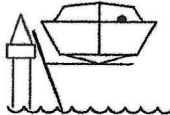
Existing

- Remove existing 8' x 70' wood dock, wood dock piles and elevator boat lift.



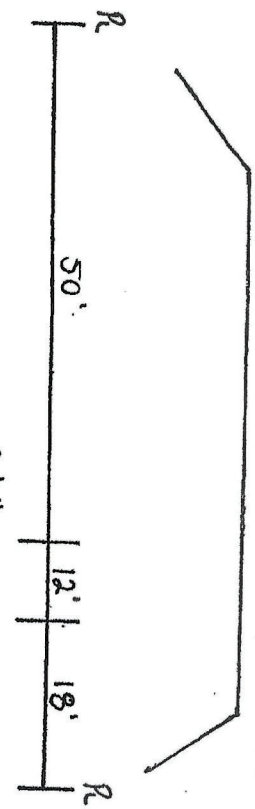
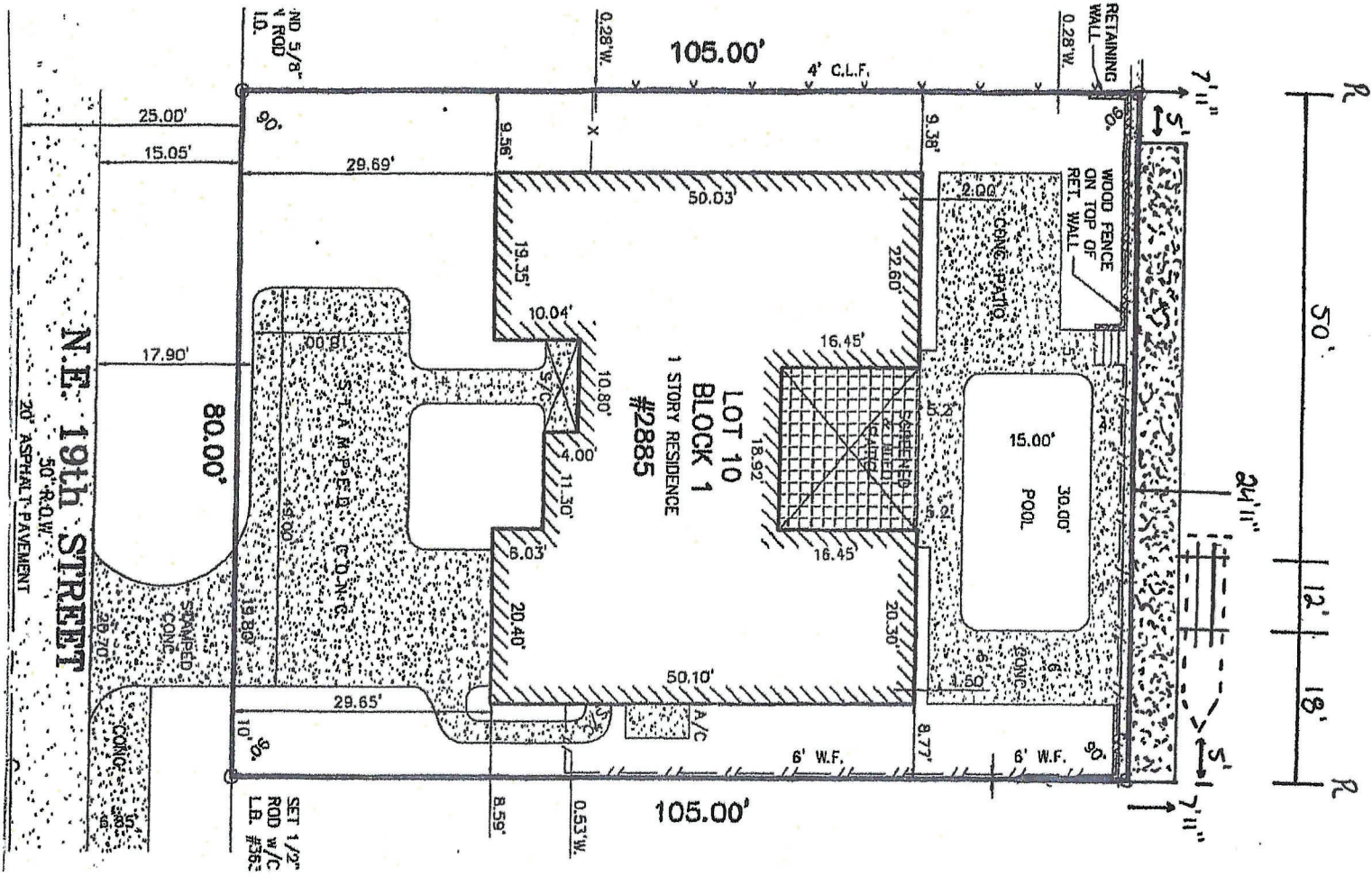
Allen Pinnell 2885 NE 19th St Pompano Beach, FL 33062

Alan W Garcia
 Digitally signed by Alan W Garcia
 Date: 2024.04.03 11:18:56 -04'00'



S.E. CUSTOM LIFT SYSTEMS INC.

ALAN GARCIA, P.E.
 LICENSE #42564
 4202 NW 54th Street
 Coconut Creek, FL



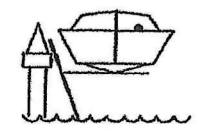
TURBIDITY SCREEN TO BE USED ON SITE WHILE CONSTRUCTION IS IN PROGRESS

NO PART OF THE BOAT SHALL BE WITHIN THE 5' SETBACK

Scope of Work

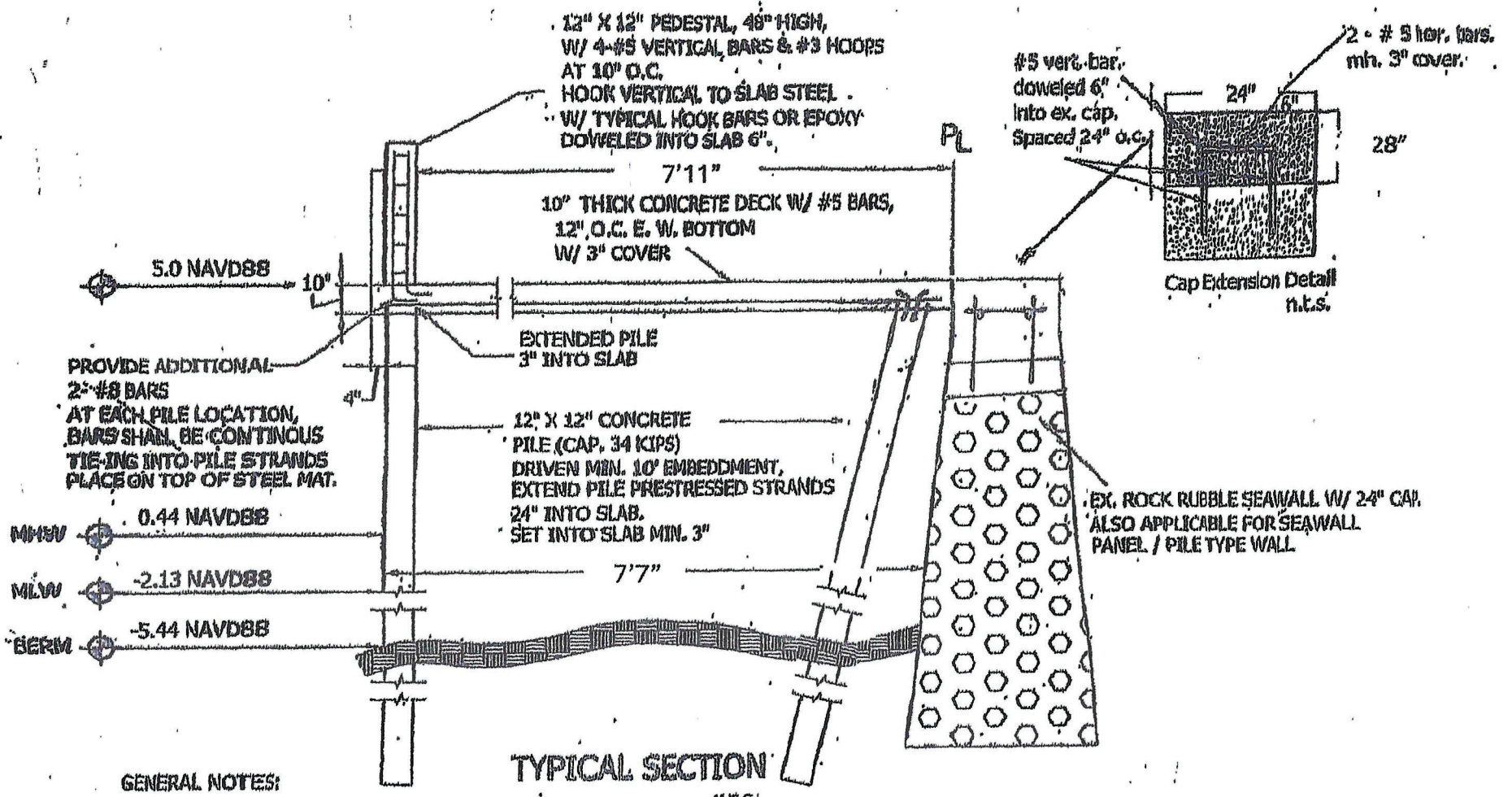
- Remove existing wood dock and wood dock piles
- Install (12) twelve concrete batter piles
- Construct a new 80' long seawall cap
- Install (9) nine concrete dock piles
- Construct a 6.5' x 75' concrete dock
- Install a 20,000 lbs elevator boat lift

Allen Pinnell 2885 NE 19th St Pompano Beach, FL 33062



S.E. CUSTOM LIFT SYSTEMS INC.

ALAN GARCIA, P.E.
 LICENSE #42564
 4202 NW 54th Street
 Coconut Creek, FL

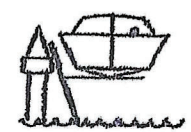


GENERAL NOTES:

1. ALL CONCRETE TO BE 5000 PSI, 28 DAY COMP. STRENGTH.
2. ALL STEEL REBAR TO BE GRADE 60
3. CONCRETE SHALL BE PROPERLY CURED.
4. CONTRACTOR TO OBTAIN UTILITY CLEARANCE PRIOR TO PILE DRIVING. CALL 1-800-432-4770.

Design is per 8th Edition FBC (2023) and
 Wind loads per ASCE 7-22 HVHZ 170 mph

Allen Pinnell 2885 NE 19th St Pompano Beach, FL 33062



**S.E. CUSTOM LIFT
SYSTEMS INC.**

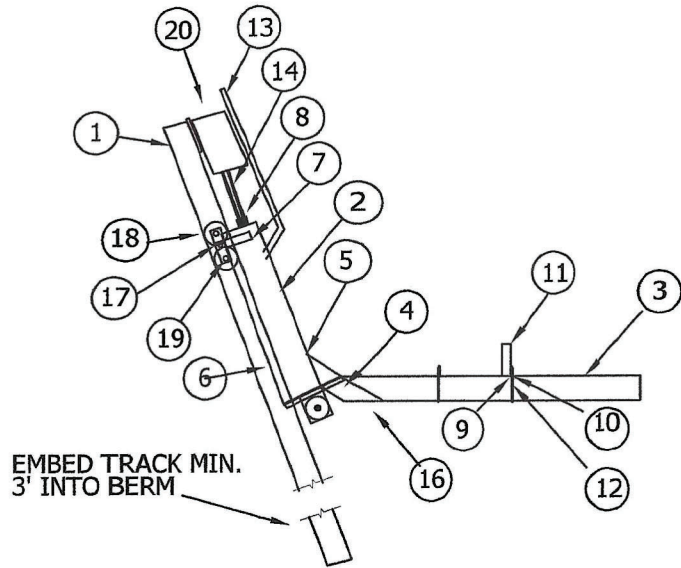
ALAN GARCIA, P.E.
LICENSE #42564

BOAT LIFT TM 20,000 SE CUSTOM LIFT

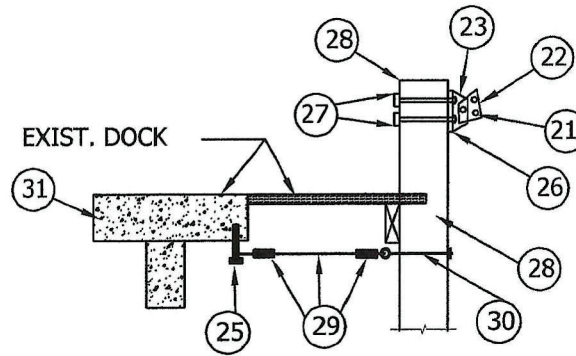
(20,000 lb LIFT)

N.T.S.

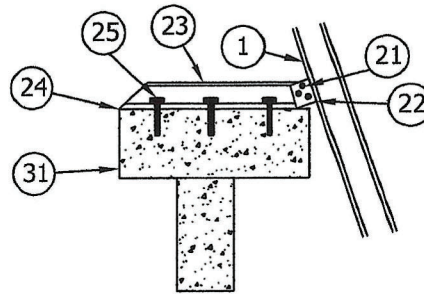
20000



PROFILE VIEW OF ELEVATOR LIFT
N.T.S.



INSTALLATION DETAIL "B"
N.T.S.



INSTALLATION DETAIL "A"
N.T.S.

1	I-Beam 12"x 7" .62
2	12" x 2.96" AS Channel
3	I-Beam 12"x 7" .62
4	1/2" x 12" x 50" flat stock
5	1/2" x 7 3/4" x 12" flat plate
6	3/8" x 3" x 4" x 12" angle
7	3/8" x 3" x 6" x 13 1/2" angle
8	Pulley Box 6" Nylon Wheels
9	2.5" x 2.5" x 1/4 Aluminum Angle
10	3/8" x 9" SS bolt and nut
11	Aluminum Bunks 10" x 16"
12	3/8" x 4" SS bolt and nut
13	2 1/2" PVC Sch. 40 pipe
14	3/8" SS Cable
15	OMIT
16	3/8" x 3" SS bolt and nut
17	7/8" x 2" SS bolt
18	8" wheel
19	1 3/16" Aluminum pin
20	Drive Unit 8500FB or 7000-600.1ED
21	5/8" x 6" SS bolt, nut, lock washer
22	Track mounting clip
23	6061 T6 Aluminum Channel
24	1/2" x 12" x 16" Angle
25	3/4" SS wedge anchor bolts
26	Pile mount brackets
27	5/8" ThreadRod SS bolt, nut, lw, fw
28	12" Wood or Concrete pile
29	5/16" SS cable, Cable clamps
30	EyeHook Welded to 5/8" Thread Rod nut, lw, fw
31	Existing seawall cap

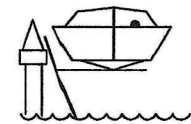
****CONTRACTOR HAS OPTION OF USING WOOD OR CONCRETE PILES IN AREAS WHERE REGULATORY POLICY APPLIES.**

GENERAL NOTES:

1. ALL CONNECTIONS ARE WELDED UNLESS OTHERWISE NOTED.
2. ALL MATERIALS TO BE 6061 T6 UNLESS OTHERWISE NOTED.
3. ALTERNATIVE INSTALLATION W/ 30° ANGLE (PART #7)
4. CONTRACTOR TO OBTAIN UTILITY CLEARANCE PRIOR TO PILE DRIVING. CALL 1-800-432-4770.
5. CONTRACTOR SHALL INSPECT EXIST. CONC. PILES FOR SPALLS & CRACKS & SHALL NOTIFY ENGINEER IN WRITING OF PILE DAMAGE OR DETERIORATION.
6. SHALL NOTIFY ENGINEER IN WRITING OF PILE DAMAGE OR DETERIORATION.
7. 9"-12" MIN. BUTT DIA. PILINGS, 10' EMBEDMENT W/ 10 TON BEARING CAPACITY.
8. Design is per 8th Edition FBC (2023) and Wind loads per ASCE 7-22 HVHZ 170 mph.

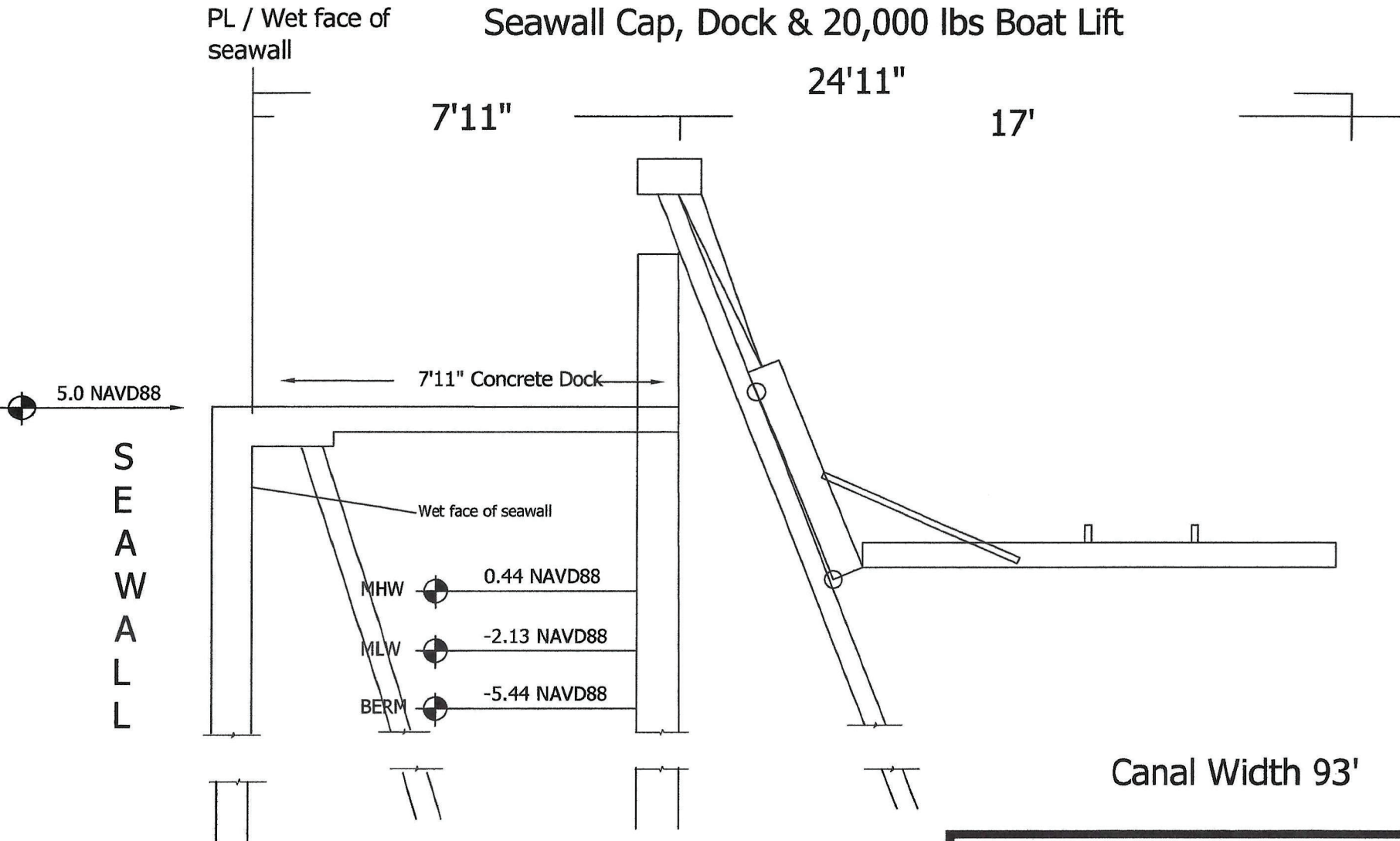
Allen Pinnell 2885 NE 19th St Pompano Beach, FL 33062

ALAN GARCIA, P.E.
LICENSE #42564
4202 NW 54TH STREET
COCONUT CREEK, FL 33073



**S.E. CUSTOM LIFT
SYSTEMS INC.**

Seawall Cap, Dock & 20,000 lbs Boat Lift



TYPICAL SEAWALL CAP , DOCK & BOATLIFT CROSS SECTION

N.T.S.

Design is per 8th Edition FBC (2023) and Wind loads per ASCE 7-22 HVHZ 170 mph.

Canal Width 93'

Allen Pinnell 2885 NE 19th St Pompano Beach, FL 33062

SOUTHEAST CUSTOM LIFT SYSTEMS, INC.

ALAN GARCIA P.E.
 LICENSE #42564
 4202 NW 54TH STREET
 COCONUT CREEK, FL 33073

MARINE CONSTRUCTION INC.
 ESTABLISHED IN 1996